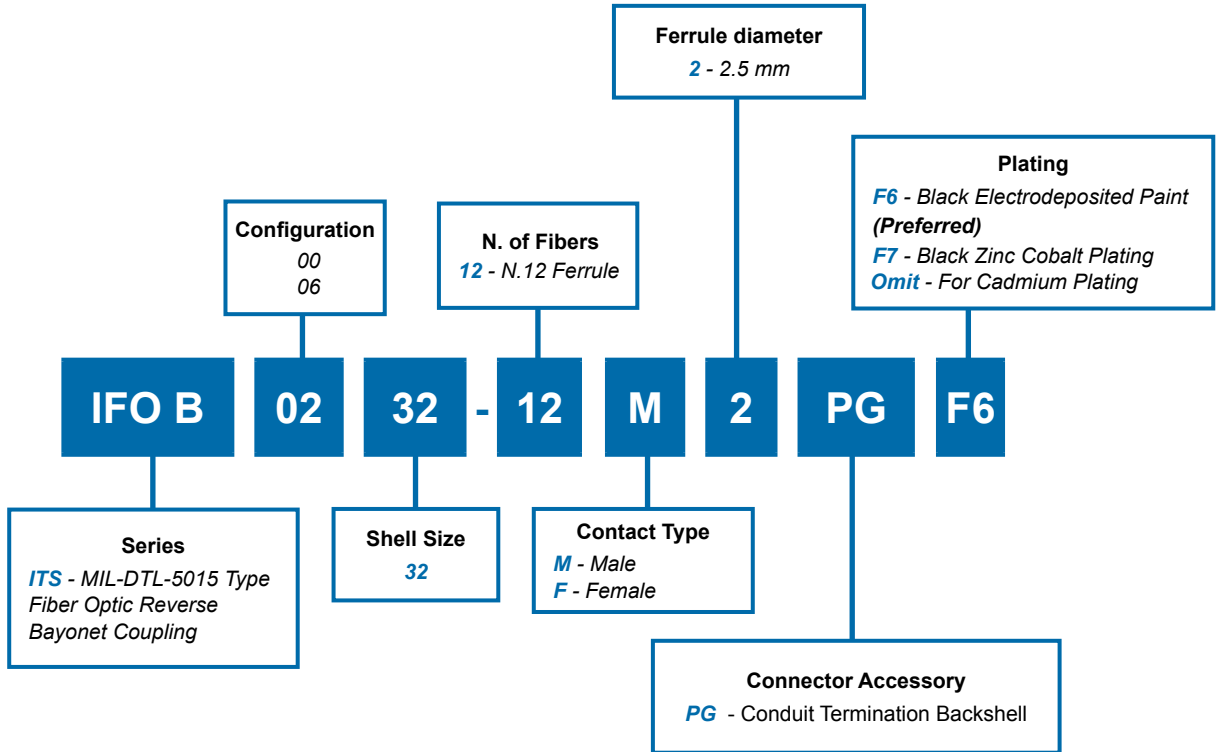




MIL-DTL-5015 and VG95234 Type
(Series IFO)
12 Pole Fiber Optic Connector



MIL-DTL-5015 and VG95234 Type (Series IFO) 12 Pole Fiber Optic Connector



- MIL-DTL-5015 and VG95234 Size 32.
- PG Backshells for conduit termination.
- Metal cover for fibers protection.
- Long Backshell for fiber bending prevention.

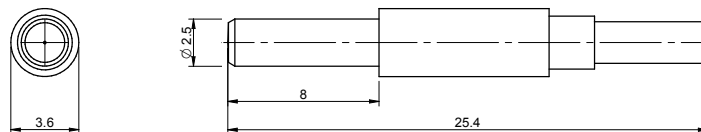
CONNECTOR TECHNICAL CHARACTERISTICS	
Connection	Fiber Optic
Fiber Type	9/125 - 50/125 - 62/125
Insertion Loss [DB]	≤ 1.4 dB
Working Temperature	-25° to +85° C
Flammability	UL94-V0
Insert	Termoplastic Resin
Metallic Parts	Aluminium Alloy; Black Electrodeposited Paint *
Mating Cycles	500 Cycles
Environmental Rating	IP67 (mated)
Gaskets and Bushings	Polychloroprene and Silicone Rubber

* RoHS compliant

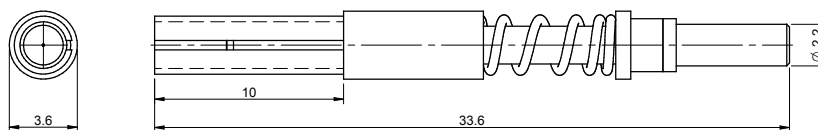
Optical Contacts

OPTICAL CONTACT TECHNICAL CHARACTERISTICS	
Optical Contacts	Zirconia Ferrules
	Stainless Steel Springs
	Zirconia split sleeves
Ferrule Diameter	2.5 mm

Male Contact

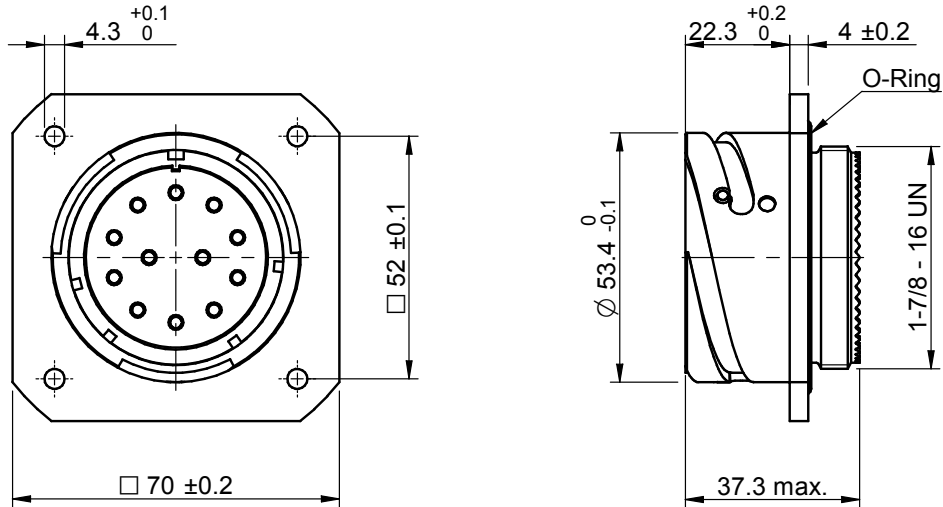


Female Contact



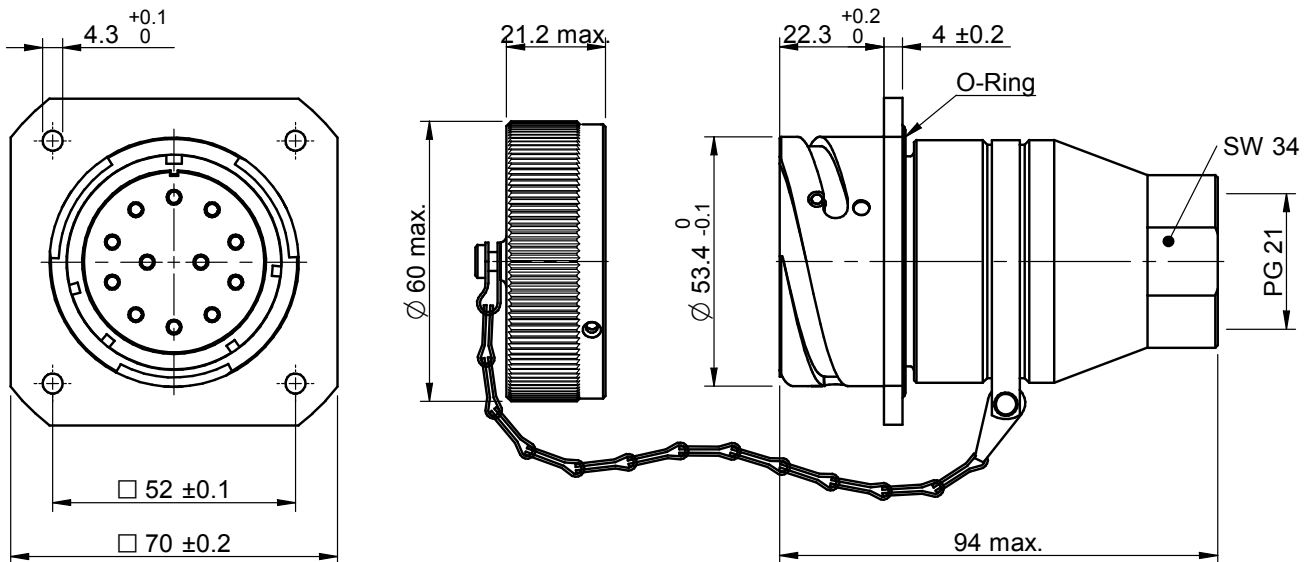
MIL-DTL-5015 and VG95234 Type
(Series IFO)
12 Pole Fiber Optic Connector

Front View



IFOB0032-12...2F6

Front View



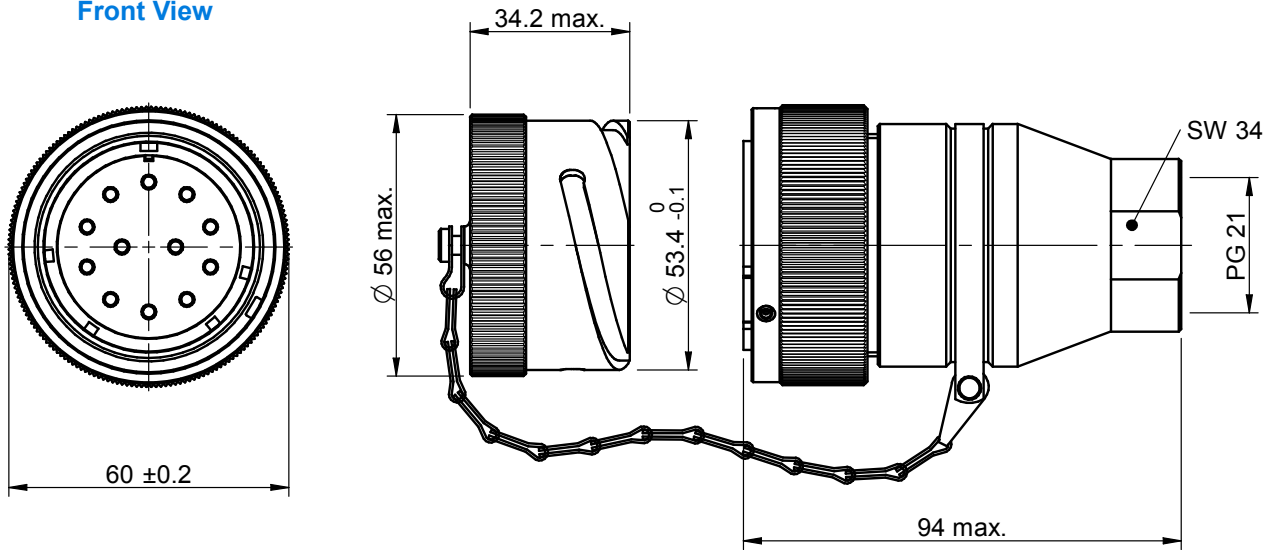
IFOB0032-12...2PGF6

MIL-DTL-5015 and VG95234 Type
(Series IFO)
12 Pole Fiber Optic Connector



High-Speed
Connectors

Front View



IFOB0632-12...2PGF6

Connectors